



SOUNDWELL®

http://soundwell-cn.com

RS22 Series SWITCH



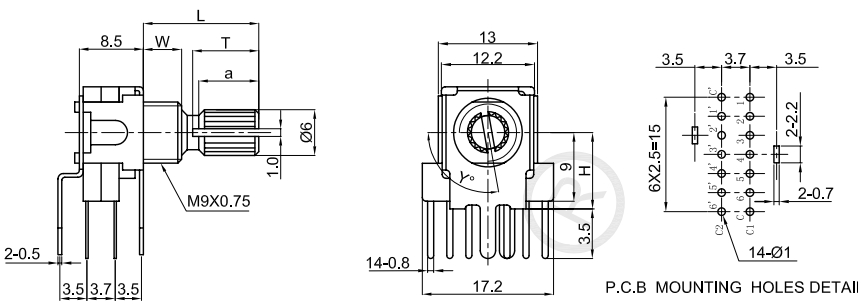
企业微信，扫码有惊喜



升威官网，发现更多产品

MODEL 品名	DIMENSIONS 尺寸	UNIT:mm
----------	---------------	---------

RS2201 G 0 Z -VA X 5/6

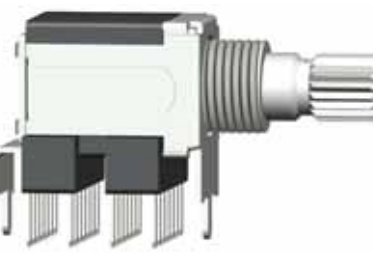
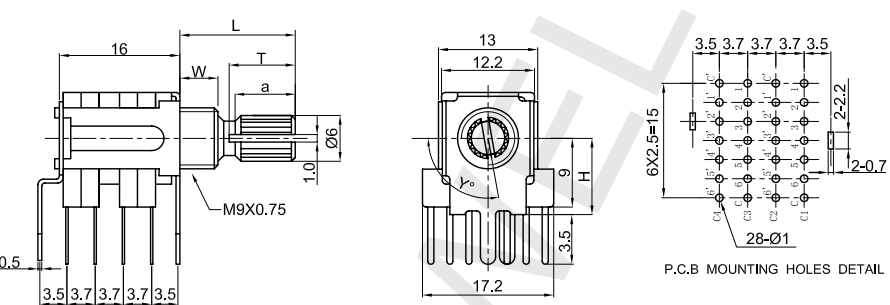



SHAFT SHOWN IN FULL
C.C.W. POSITION

<input type="checkbox"/> G	<input type="checkbox"/> W	<input type="checkbox"/> Z	<input type="checkbox"/> H	<input type="checkbox"/> X
<input type="checkbox"/> A	5	<input type="checkbox"/> B	10.0	2
<input type="checkbox"/> B	7	<input type="checkbox"/> A	12.5	1

P.C.B MOUNTING HOLES DETAIL

RS2204 G 0 Z -VA X 5/6

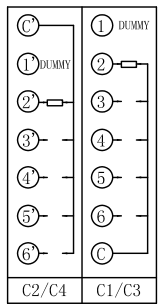
SHAFT SHOWN IN FULL
C.C.W. POSITION

<input type="checkbox"/> G	<input type="checkbox"/> W	<input type="checkbox"/> Z	<input type="checkbox"/> H	<input type="checkbox"/> X
<input type="checkbox"/> A	5	<input type="checkbox"/> B	10.0	2
<input type="checkbox"/> B	7	<input type="checkbox"/> A	12.5	1

P.C.B MOUNTING HOLES DETAIL

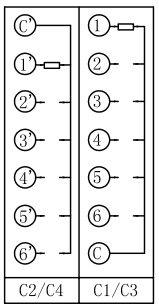
RS22 Circuit Diagram 回路图

RS2201A0 X -VA1-5
RS2204A0 X -VA1-5



Y=75°

RS2201A0 X -VA1-6
RS2204A0 X -VA1-6



Y=105°

NOTE: "Y" Shaft shown in full C.C.W. Position.
 注明: Y° 为轴心逆时针旋转停止位置。