



SOUNDWELL®

http://soundwell-cn.com

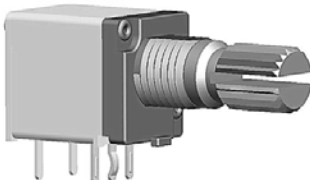
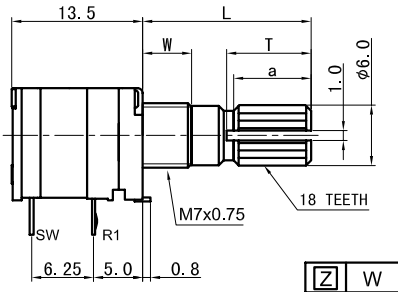
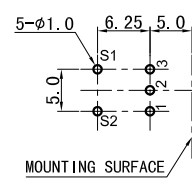
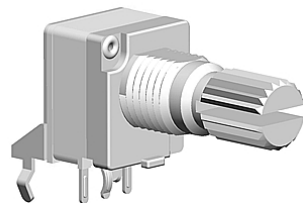
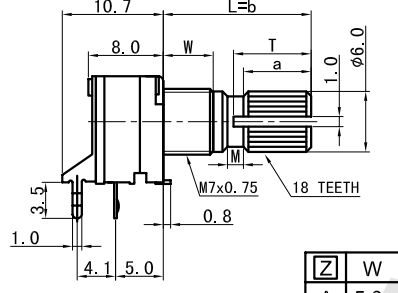
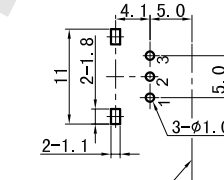
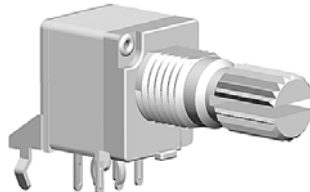
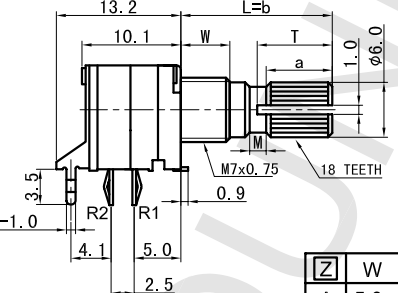
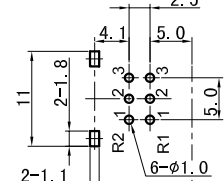
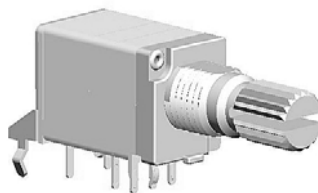
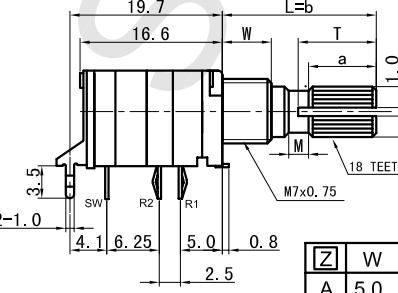
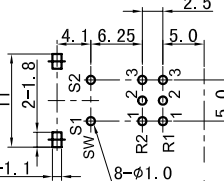
# RA09 Series POTENTIOMETER



企业微信，扫码有惊喜



升威官网，发现更多产品

MODEL 品名	DIMENSIONS 尺寸	UNIT:mm								
<p>RA0902SN <math>\square</math>0X-VA1</p> 	 <table border="1" data-bbox="861 660 957 772"> <thead> <tr> <th>Z</th> <th>W</th> </tr> </thead> <tbody> <tr> <td>A</td> <td>5.0</td> </tr> <tr> <td>B</td> <td>7.0</td> </tr> <tr> <td>C</td> <td>10.0</td> </tr> </tbody> </table> <p>SHAFT SHOWN IN FULL C. C. W. POSITION</p>  <p>MOUNTING SURFACE</p> <p>P. C. B. MOUNTING HOLES DETAIL</p>	Z	W	A	5.0	B	7.0	C	10.0	
Z	W									
A	5.0									
B	7.0									
C	10.0									
<p>RA0902NO <math>\square</math>0A-VA1</p> 	 <table border="1" data-bbox="861 1097 957 1209"> <thead> <tr> <th>Z</th> <th>W</th> </tr> </thead> <tbody> <tr> <td>A</td> <td>5.0</td> </tr> <tr> <td>B</td> <td>7.0</td> </tr> <tr> <td>C</td> <td>10.0</td> </tr> </tbody> </table> <p>SHAFT SHOWN IN FULL C. C. W. POSITION</p>  <p>MOUNTING SURFACE</p> <p>P. C. B. MOUNTING HOLES DETAIL</p>	Z	W	A	5.0	B	7.0	C	10.0	
Z	W									
A	5.0									
B	7.0									
C	10.0									
<p>RA0902GO <math>\square</math>0A-VA1</p> 	 <table border="1" data-bbox="861 1534 957 1646"> <thead> <tr> <th>Z</th> <th>W</th> </tr> </thead> <tbody> <tr> <td>A</td> <td>5.0</td> </tr> <tr> <td>B</td> <td>7.0</td> </tr> <tr> <td>C</td> <td>10.0</td> </tr> </tbody> </table> <p>SHAFT SHOWN IN FULL C. C. W. POSITION</p>  <p>MOUNTING SURFACE</p> <p>P. C. B. MOUNTING HOLES DETAIL</p>	Z	W	A	5.0	B	7.0	C	10.0	
Z	W									
A	5.0									
B	7.0									
C	10.0									
<p>RA0902SG <math>\square</math>0A-VA1</p> 	 <table border="1" data-bbox="861 1971 957 2083"> <thead> <tr> <th>Z</th> <th>W</th> </tr> </thead> <tbody> <tr> <td>A</td> <td>5.0</td> </tr> <tr> <td>B</td> <td>7.0</td> </tr> <tr> <td>C</td> <td>10.0</td> </tr> </tbody> </table> <p>SHAFT SHOWN IN FULL C. C. W. POSITION</p>  <p>MOUNTING SURFACE</p> <p>P. C. B. MOUNTING HOLES DETAIL</p>	Z	W	A	5.0	B	7.0	C	10.0	
Z	W									
A	5.0									
B	7.0									
C	10.0									